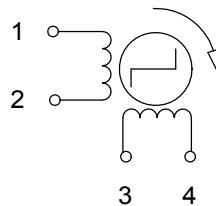
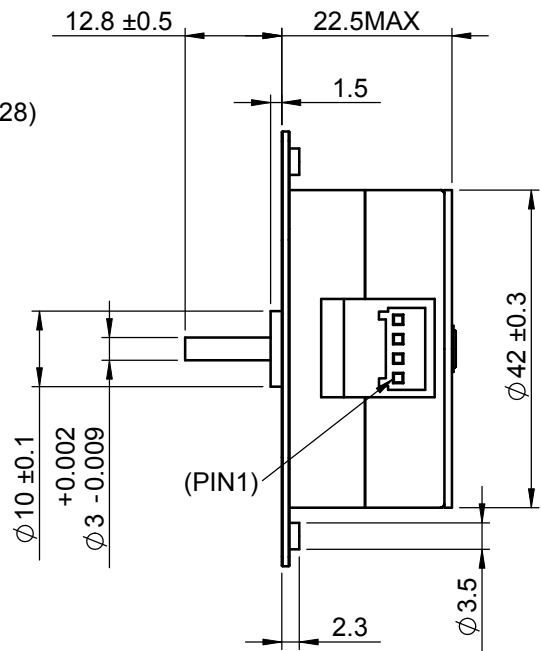


(此線徑為UL1007AWG28)



CONNECTOR PIN LOCATION					
PIN	COLOR	CCW ← → CW			
		-	+	+	-
1	BROWN	-	+	+	-
2	RED	+	-	-	+
3	ORANGE	-	-	+	+
4	YELLOW	+	+	-	-

 THIRD ANGLE PROJECTION ALL DIMENSION ARE IN MM (UNLESS OTHERWISE SPECIFIED)	製圖	JOANNE	Cheshire Electric Company, LLC		
	設計		Part No JM42-L003A095-7		
	審核		Name PM stepper motor		
	材料		REV. NO.	B	
繪製比例: 1:1	完成時間	2011/03/24			

MODEL	Motor Characteristics					
JM42-L003A095-7	Resistance	Step Angle	Steps Revolution	Max PIT Rate	Max POT Rate	POT(at400pps)
Constant current	24V 0.6A	10Ω	7.5 °	48	600PPS	900PPS
						630g-cm