

1 2 3 4 5 6

A

A

B

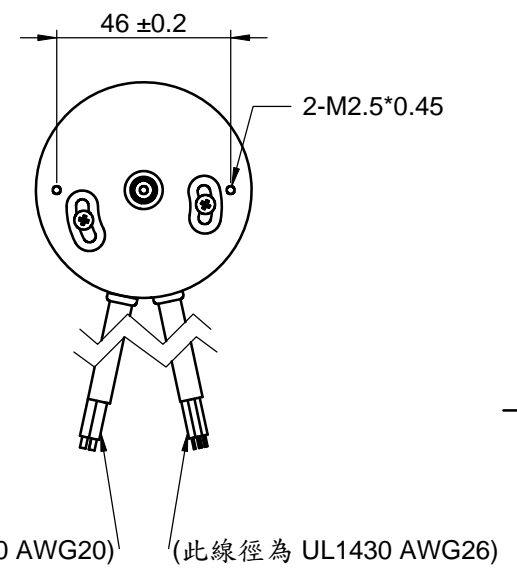
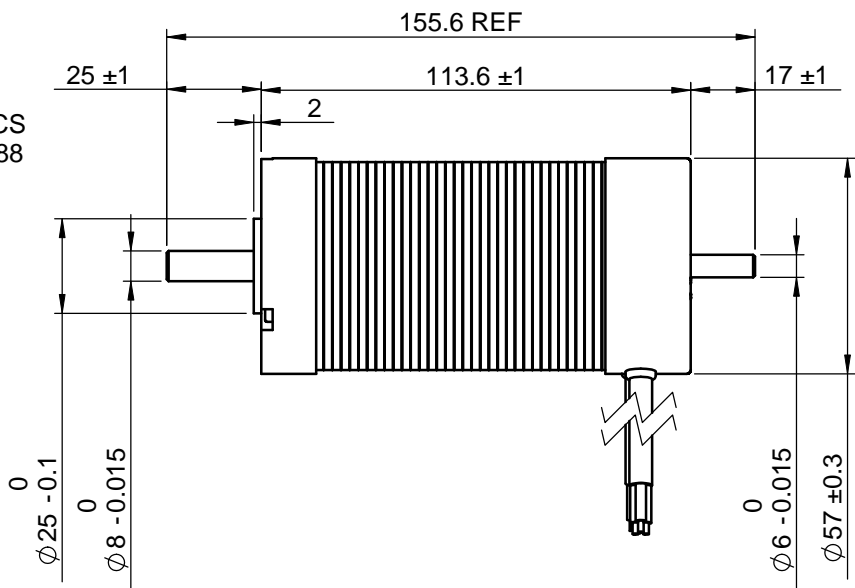
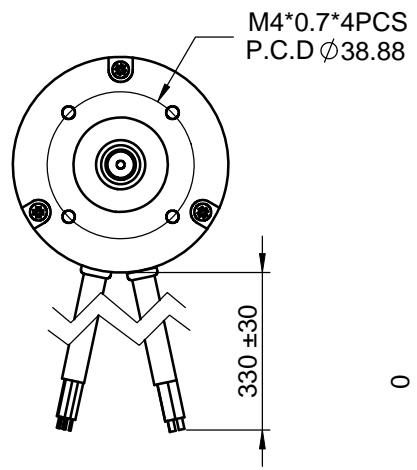
B

C

C

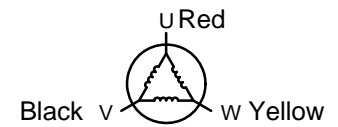
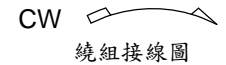
D

D



Hall 接線表		
Pin	Color	功能(說明)
1	Blue	Hall U
2	Black	GND
3	Green	Hall V
4	Red	+5V
5	White	Hall W

Motor 接線表		
Pin	Color	功能(說明)
1	Red	Motor U
2	Black	Motor V
3	Yellow	Motor W



MODEL		NO LOAD		AT MAXIMUM EFFICIENCY					THIRD ANGLE PROJECTION ALL DIMENSION ARE IN MM (UNLESS OTHERWISE SPECIFIED)	製圖 設計 審核 材料 繪製比例: 1:2	JOANNE	Cheshire Electric Company, LLC		
NOMINAL	36V DC	SPEED RPM	CURRENT A	SPEED RPM	CURRENT A	TORQUE kg-cm	OUTPUT W	EFF %				Part No JB57-L0H1A722	Name DC Brushless motor	REV. NO.
		5800	0.51	5158	3.88	2.4	129.98	93.01		2011/9/29				

1 2 3 4 5 6