

1 2 3 4 5 6

A

A

B

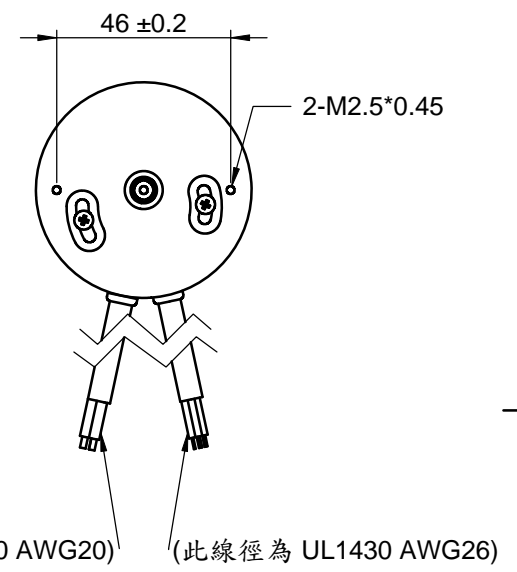
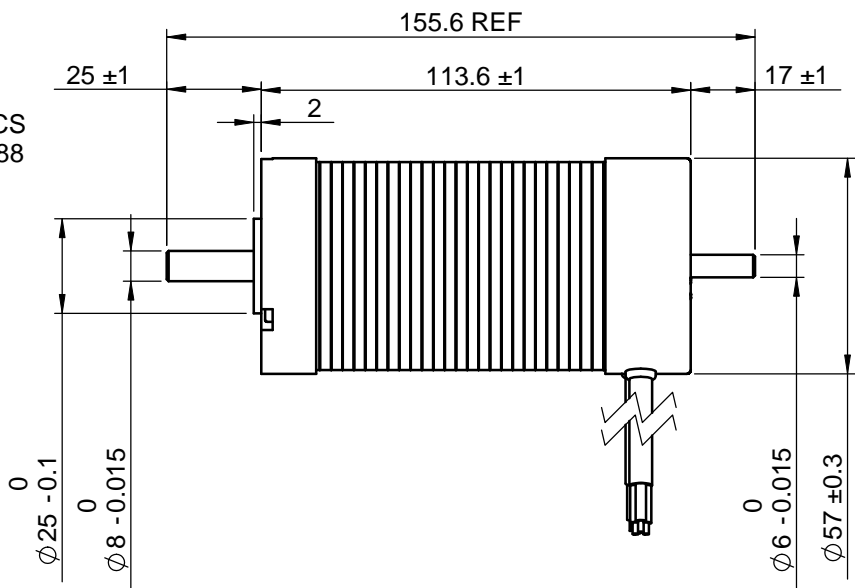
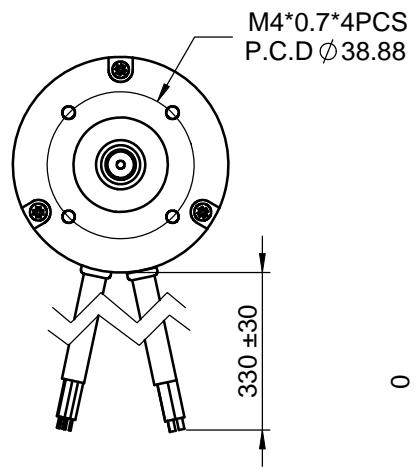
B

C

C

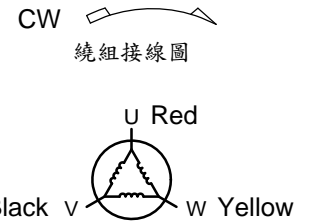
D

D



Hall 接線表		
Pin	Color	功能(說明)
1	Blue	Hall U
2	Black	GND
3	Green	Hall V
4	Red	+5V
5	White	Hall W

Motor 接線表		
Pin	Color	功能(說明)
1	Red	Motor U
2	Black	Motor V
3	Yellow	Motor W



MODEL		NO LOAD		AT MAXIMUM EFFICIENCY					THIRD ANGLE PROJECTION ALL DIMENSION ARE IN MM (UNLESS OTHERWISE SPECIFIED)	製圖 設計 審核 材料 完成時間	JOANNE	Cheshire Electric Company, LLC		
NOMINAL	310V DC	SPEED RPM	CURRENT A	SPEED RPM	CURRENT A	TORQUE kg-cm	OUTPUT W	EFF %				Part No JB57-L001A820	Name DC Brushless motor	REV. NO.
		9700	0.13	8336	0.79	2.66	233.13	95.56	繪製比例: 1:2	2012/2/8				

1 2 3 4 5 6