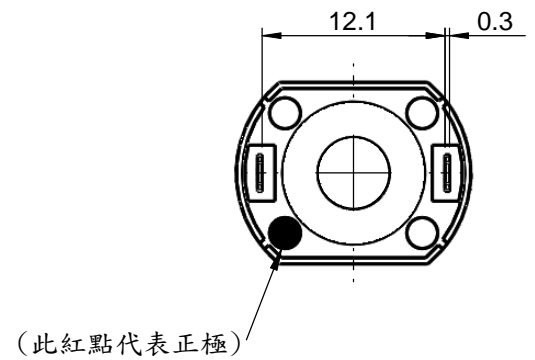
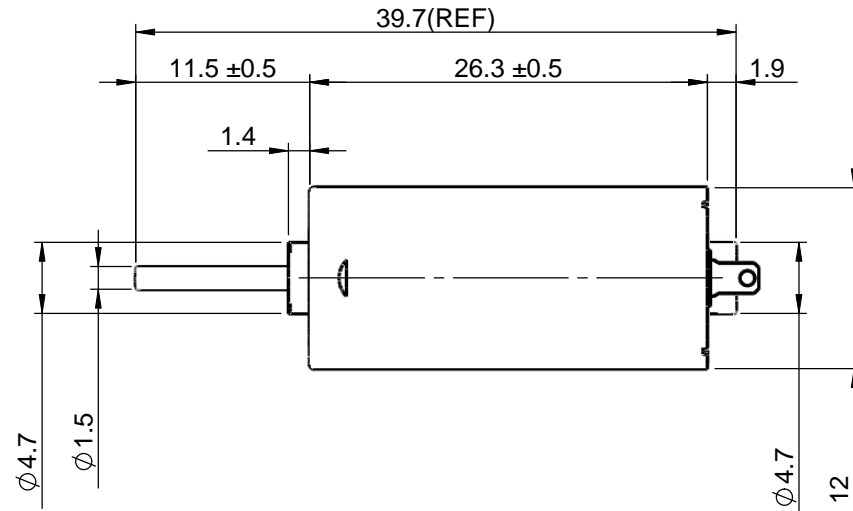
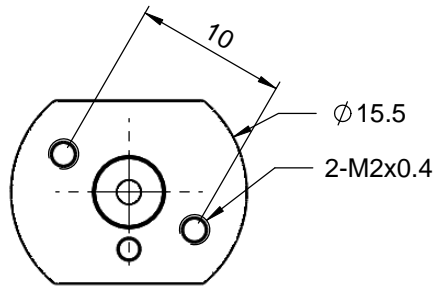


DIRECTION OF ROTATION



MODEL		NO LOAD		AT MAXIMUM EFFICIENCY					THIRD ANGLE PROJECTION ALL DIMENSION ARE IN MM (UNLESS OTHERWISE SPECIFIED)	製圖 設計 審核 材料	JOANNE	Cheshire Electric Company, LLC		
JD15-L001A458	SPEED	CURRENT	SPEED	CURRENT	TORQUE	OUTPUT	EFF	Part No				Name	REV. NO.	B
NOMINAL	1.5V DC	RPM	A	RPM	A	g-cm	W	%	繪製比例: 2:1	完成時間	DC motor			
		3652	0.06	2693	0.169	4.524	0.128	50.59		2011/2/8				