

A

A

B

B

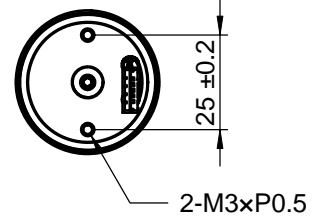
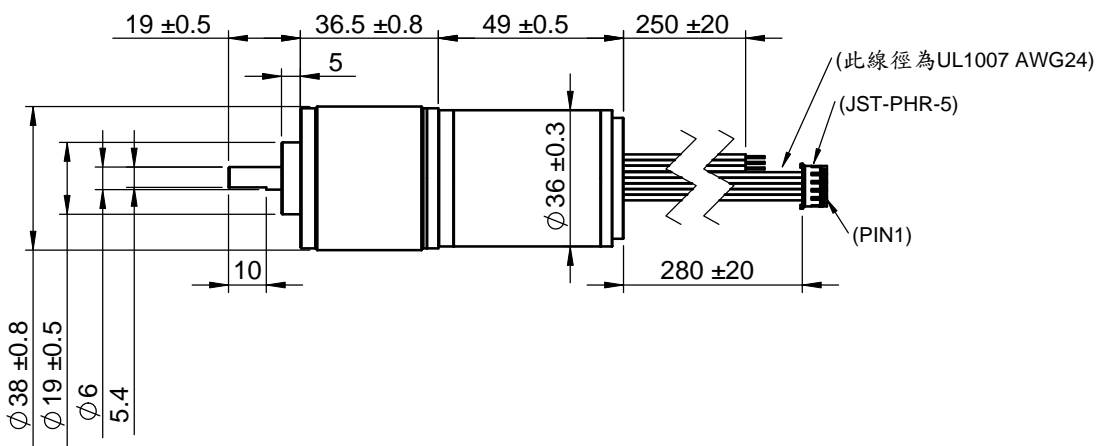
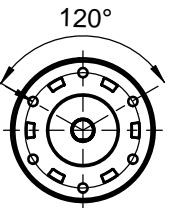
C

C

D

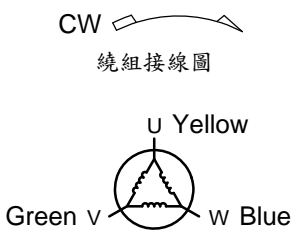
D

M3*0.5*6PCS
P.C.D ϕ 30.5



Hall 接線表		
Pin	Color	功能(說明)
1	Red	+5V
2	Yellow	Hall U
3	Green	Hall V
4	Blue	Hall W
5	White	GND

Motor 接線表		
Pin	Color	功能(說明)
1	Yellow	Motor U
2	Green	Motor V
3	Blue	Motor W



MODEL		NO LOAD		AT MAXIMUM EFFICIENCY				Genr Ratio	THIRD ANGLE PROJECTION ALL DIMENSION ARE IN MM (UNLESS OTHERWISE SPECIFIED)	製圖 設計 審核 材料 完成時間	Joanne	Cheshire Electric Company, LLC		
NOMINAL	24V DC	SPEED	CURRENT	SPEED	CURRENT	TORQUE	OUTPUT					EFF	Part No	Name
		RPM	A	RPM	A	Kg-cm	W	%						
		390	0.38	322	1.82	7.18	24.28	55.7	1:36			Gear motor		
繪製比例: 1:2										2012/10/5				

1

2

3

4

5

6