

1 2 3 4 5 6

A

A

B

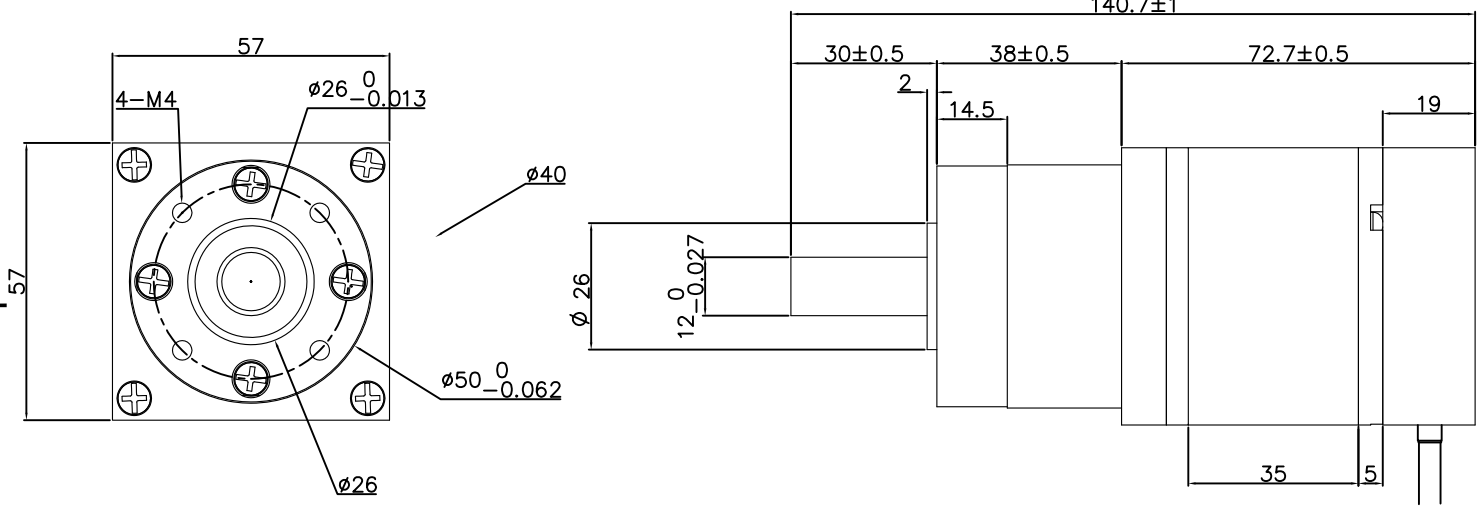
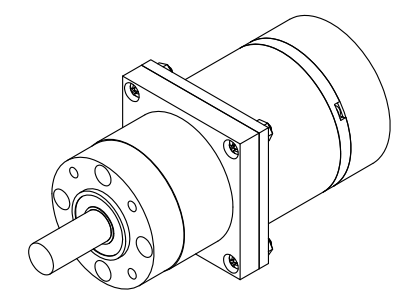
B

C

C

D

D



MODEL		NO LOAD		AT MAXIMUM EFFICIENCY				
JR57-02KA001		SPEED	CURRENT	SPEED	CURRENT	TORQUE	OUTPUT	EFF
NOMINAL	24VDC	RPM	A	RPM	A	N-m	W	%
		400	0.75	335	4.1	0.47	16.7	17.1

	THIRD ANGLE PROJECTION	製圖	Neil Shu	Cheshire Electric Company, LLC		
ALL DIMENSION ARE IN MM (UNLESS OTHERWISE SPECIFIED)		設計	Neil Shu	Part No		
		審核		JR57-02KA001		
		材料		Name		Qty: size
繪製比例:		完成時間		Gear motor		A4

1 2 3 4 5 6